



MARS QUICKDRY™ – WHEN CONVENTIONAL BLOWER-DRYER SECTIONS JUST WON'T WORK (AND COST TOO MUCH)



MARS AIR CURTAINS HAVE BEEN TESTED TO BE 60-70% AS EFFECTIVE AS BLOWER-DRYER SECTIONS

SIMPLE BOLT-ON DESIGN TO EXISTING WAREWASH MACHINE

Mars is Less Costly than Blower-Dryer Sections

- Adds no additional length to the warewash machine
- Purchase price is one-tenth the cost of a blower-dryer
- Consumes one-tenth the energy of traditional blower-dryer sections

Mars Optimizes Operational Efficiency

- Reduces dependency on drying racks which consume and clutter floorspace
- Eliminates Need to Use Hot Or Wet Trays and Wares
- Keeps high-volume operations efficient and productive



atmosphere is everything

marsair.com • 800-421-1266

For over 50 years, Mars Air Systems has been the international leader with air curtains. Manufacturing products of the highest reliability that can fit a range of applications and sizes; from drive-thru windows to receiving doors to outdoor patios, we help you comply with federal and state regulations while we lower energy costs and protect climatized air.

WAREWASHER PACKAGE SPECIFICATIONS

Package Part #s	Includes	Description	Unit Width (in)	Unit Voltage	Weight (lbs)	Air Velocity (fpm)	Air Volume (cfm)	FLA (amps)
LPV225-1UA-WW	LPV225-1UA-TS	LPV225, 1Mtr, Unhtd, 115v,1ø, 60Hz, Titanium Silver	25	115v/1ø	20	1800	625	2.4
	98-018	Screen, Factory installed, Fingersafe Protection						
STD236-1UA-WW	STD236-1UA-TS	STD236, 1Mtr, Unhtd, 115v,1ø, 60Hz, Titanium Silver	36	115v/1ø	60	2206	1379	5.1
	98-018	Screen, Factory installed, Fingersafe Protection						

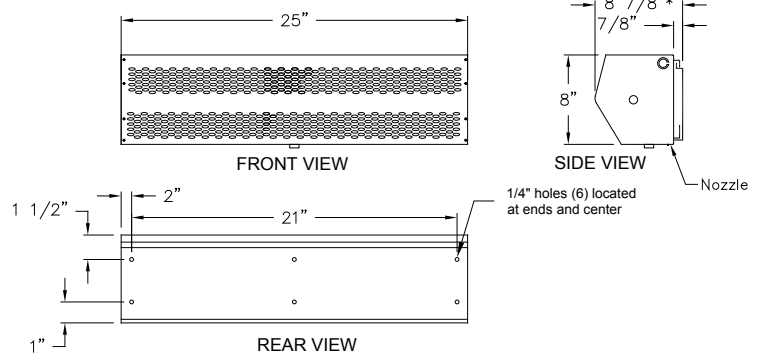
WAREWASHER PACKAGE FEATURES (UNHEATED)

- 1/6 & 1/2 HP continuous duty motors
- Sleek self-contained one-piece light gauge corrosion-resistant paint lock metal design
- ETL-certified to conform to UL 507 (US) and CSA 22.2 (Canada) standards (Indoor/Outdoor Use)
- Dynamically balanced corrosion-resistant aluminum crossflow wheels
- Standard color is Titanium Silver
- Rust preventative electrostatic polyurethane powder coating
- Safety mesh installed to prevent accidental contact with fan blades
- 1 year parts warranty
- Freight included (FOB continental USA)
- Proudly Made in the USA

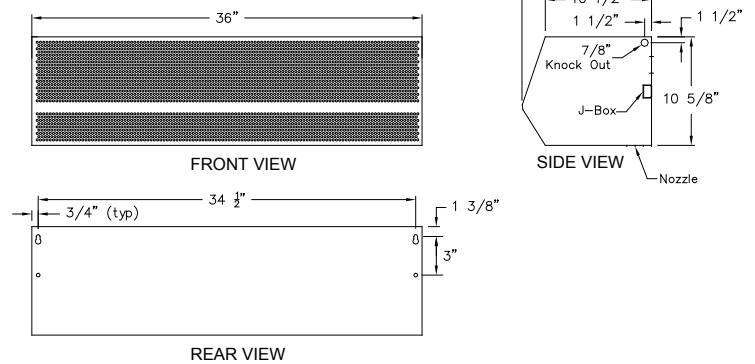
OPTIONS AND ACCESSORIES:

- Universal stainless steel mounting bracket (09-078-SS)
- ON/OFF switch
 - Unit mounted, factory installed (INS-SW)
 - Remote mounted, field installed (RMT-SW)
- Stainless steel housing construction
- Available in other voltages (208-230V, 1PH & 3PH, 460V, 3PH)
- Aluminum filters
- Disconnect switch (NEMA 1, NEMA 4X washdown)
- Unit mounted controls option
- Washdown motors (STD2 models only)
- Hot Water or Steam heated models

LPV225-1UA-TS



STD236-1UA-TS



atmosphere is everything

marsair.com • 800-421-1266

For over 50 years, Mars Air Systems has been the international leader with air curtains. Manufacturing products of the highest reliability that can fit a range of applications and sizes; from drive-thru windows to receiving doors to outdoor patios, we help you comply with federal and state regulations while we lower energy costs and protect climatized air.